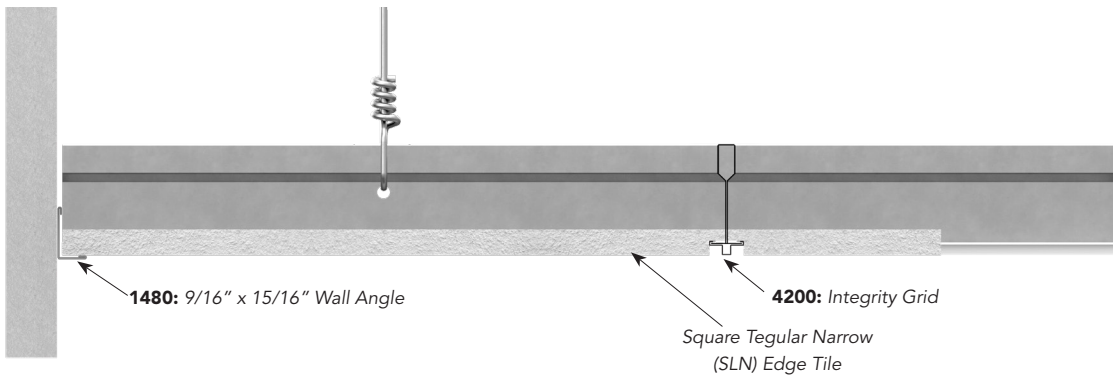


Chicago Metallic® 4200 Integrity™ Perimeter Details

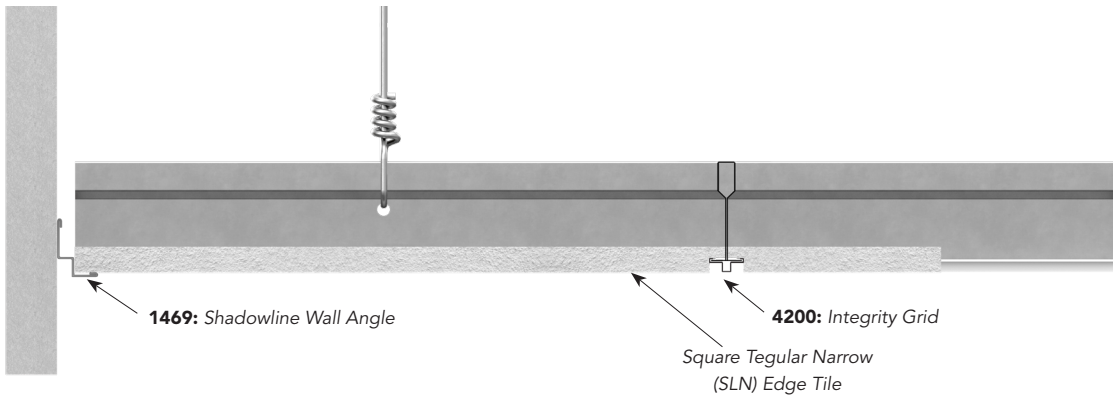
The distinctive aesthetic of the 4200 Integrity™ grid system creates unique detail conditions along the perimeter. The following information illustrates different connection details when installing this product.

Standard Perimeter Details

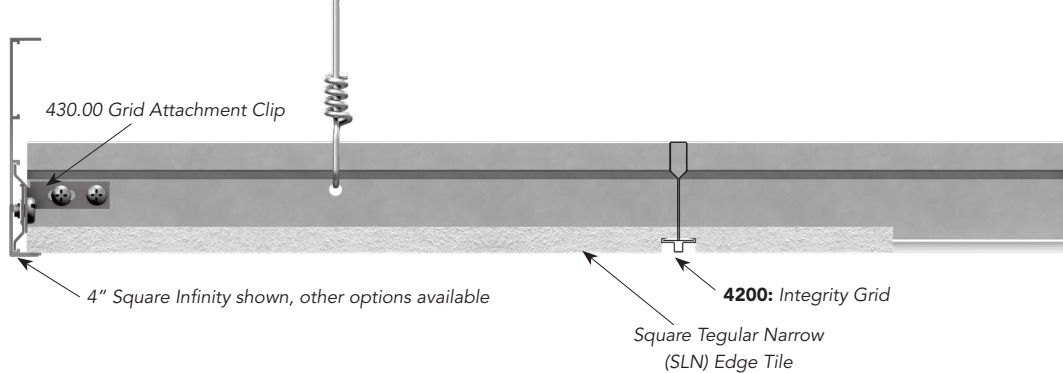
4200 Integrity System with the 1480 Wall Angle



4200 Integrity System with 1469 Shadowline



4200 Integrity with Rockfon® Infinity Integration

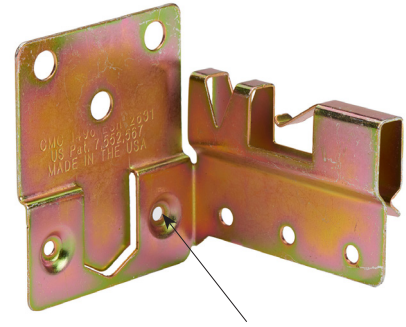


Seismic Perimeter Details

Installation Details for the Integrity System

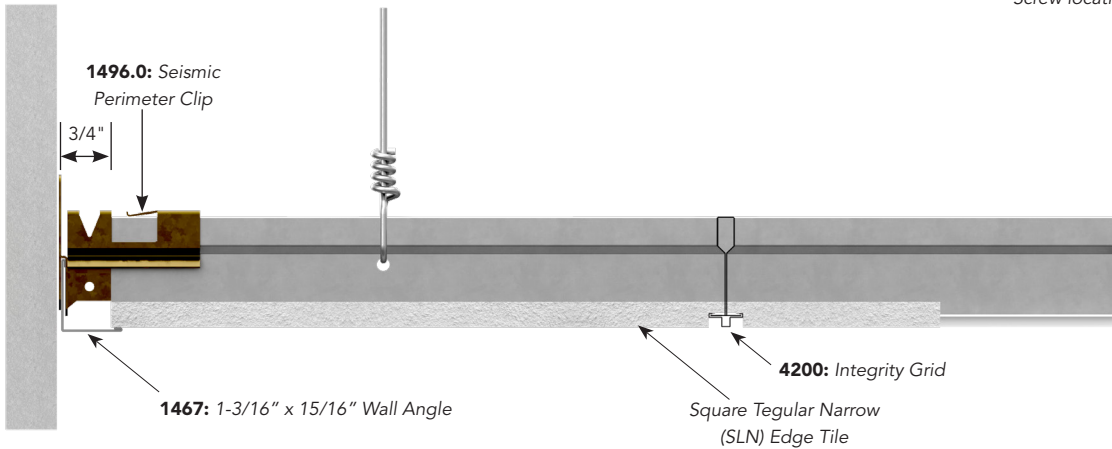
Using the 1496.00 Clip in Seismic Categories D, E & F

For more installation details, reference Rockfon ICC-ES document, ESR-2631. Quantity: 1 #7, 7/16" sharp-point screw is required in the inner hole to secure the clip to the wall angle for all shadowline wall enclosures. All other details installed per ASTM E580. Consult with local engineer of record or authority having jurisdiction to verify compliance for your project.

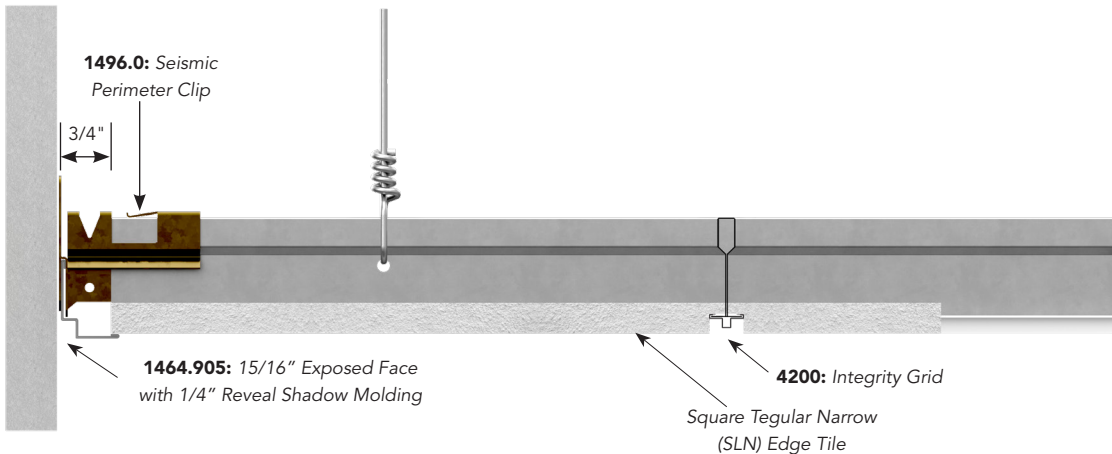


1496.00 Seismic Perimeter Clip.
Screw location for Shadow Molding

4200 Integrity™ System Using the 1496.00 Seismic Perimeter Clip and 1467 Wall Angle



4200 Integrity System Using the 1496.00 Seismic Perimeter Clip and 1464.905 Shadow Molding



Have Questions?

Contact Rockfon Technical Support by calling **800-323-7164**, prompt 2 and we can provide assistance on your project.