

Table of Contents:

▪ System Overview.....	2	▪ Installation.....	4
▪ Best Practices.....	2	▪ Center Support System.....	5
▪ Reference Documentation.....	2	▪ Component Load Test Data.....	6
▪ System Components.....	3		

Chicago Metallic® Spanfast® Drywall Grid

Installation Guide



System Overview

This guide covers the basic installation guidelines for Chicago Metallic Spanfast corridor framing system. The basic framework includes pre-notched locking channel and heavy duty runners. Installed properly, Spanfast runners can span up to 9' without the use of hanger wires.



[Download Datasheet](#)

Best Practices

Always follow good safety practices when installing ceilings. Prior to beginning installation ensure that all materials are received and in good condition. Record any shipping damage on the carrier's bill of lading and contact Rockfon immediately to order replacement material:

- Email: cs@rockfon.com
- Fax: 866-211-3824
- Customer Service: 800-323-7164

*If there are any issues with your order, contact Customer Service at 1-800-323-7164, telephone option 1.
E-mail replacement material orders, including your purchase order number on document, to cs@rockfon.com.
For technical assistance, contact Technical Services at 1-800-323-7164, telephone option 2.*

Reference Documentation

Several industry standards are published and available. Acoustical and metal ceiling installers should familiarize themselves with the installation methods and best practices recommended for ceiling systems.

Prior to installation, it's imperative the installer become familiar with any project specific documentation available. These items will confirm ceiling layout, panel sizes and finish, ceiling accessories, ceiling fixture layout and orientation, and any special edge conditions.

Industry Standard Documentation

- [ASTM C636 \(Standard Practice for Installation of Metal Ceiling Suspension Systems for Acoustical Tile and Lay-in Panels\)](#)
- [CISCA Ceiling Systems Handbook](#)
- [ASTM C645 \(Standard Specification for Nonstructural Steel Framing Members\)](#)
- [ASTM C754 \(Standard Specification for Installation of Steel Framing Members to Receive Screw Attached Gypsum Panel Products\)](#)

Project Specific Documentation

- Reflected ceiling plans
- Project specifications
- Approved project submittals (data sheets, shop drawings)

Tools Required

- Laser or leveling device
- Cutting knife/blades
- Marking tool (pencil)
- Pliers
- Clean gloves
- Aviation snips
- Tape measure
- Drill
- Screwdrivers (Phillips, Flathead)
- Ceiling clamps

System Components



640.SFD - Spanfast Cross Tees (72", 96", 120", 144", 168" lengths)



1450.00SFD pre-notched channel



5130K.00H - Knurled wall angle

Accessories

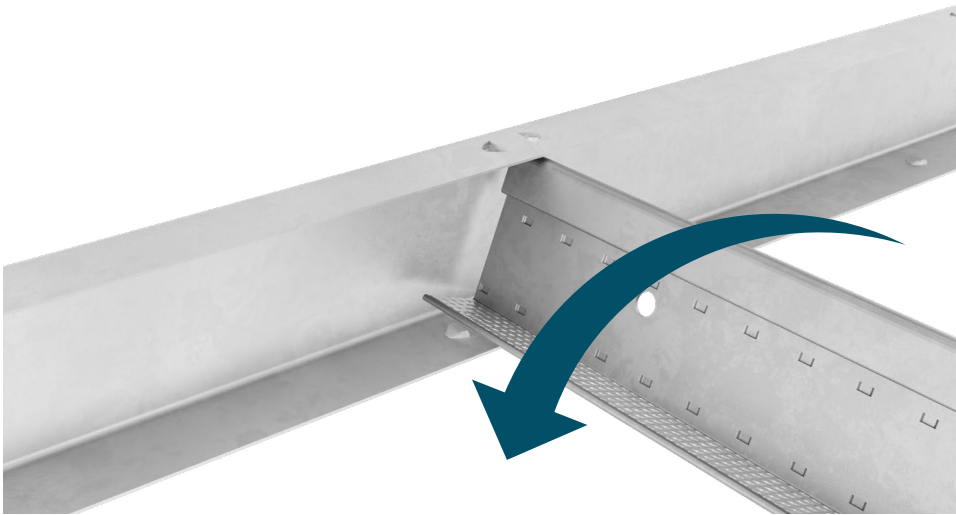
	Detail	Product Description	Catalog Number	Rockfon Part Number	Packaging	
					Pcs/ Ctn	Lbs/ Ctn
Access Door Kits (GRG)		9" x 9" GRG Access Door and Frame	8501.00	250377	1	5
		12" x 12" GRG Access Door and Frame	8502.00	310081	1	6
		18" x 18" GRG Access Door and Frame	8503.00	310082	1	10
		24" x 24" GRG Access Door and Frame	8504.00	313253	1	13
		30" x 30" GRG Access Door and Frame	8505.00	313256	1	22
Other Accessories		90-Degree Horizontal Clip	479.00	253183	25	5

1. Installation

Begin with installation of the pre-notched wall channel, ensuring the first notch is spaced equal distance from the wall on both sides. Alternate installation method includes the use of utility angle or 5130K.00H Knurled wall angle.



Next, at a slight angle, insert the Spanfast main runner into the top notch and rotate/snap into place.

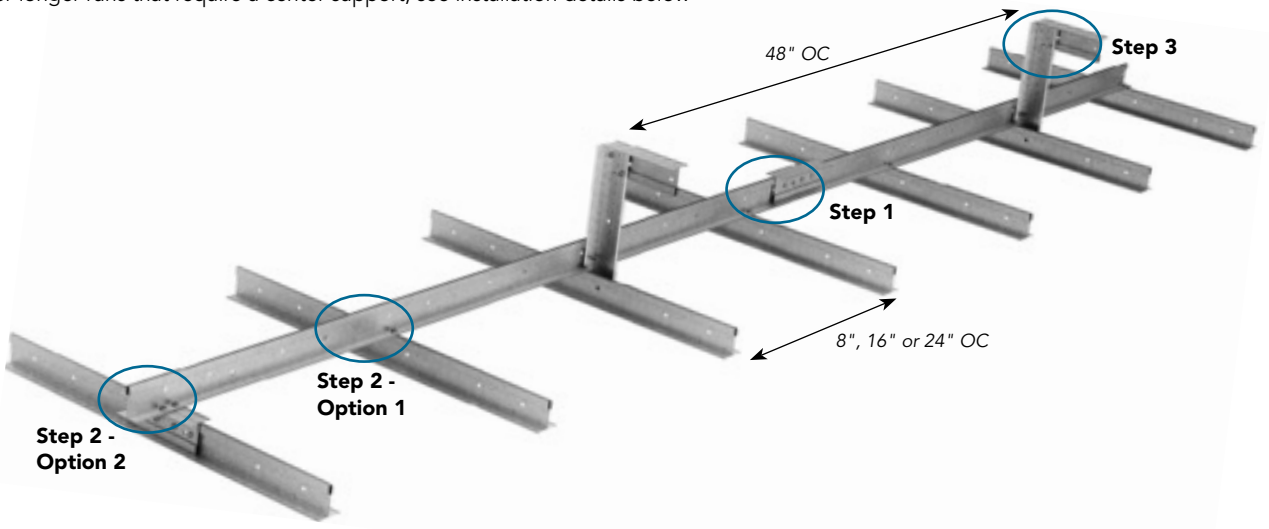


Continue with the remaining runners at 8", 16", or 24" spacing.



2. Center Support System

For longer runs that require a center support, see installation details below



Step 1 - Install runners and splice

Install Spanfast runner perpendicular across the top of installed Spanfast tees and splice runners together with a field-cut piece of tee. Use 1" sharp point screws.



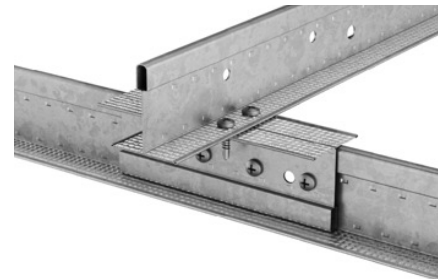
Step 2 - Fasten runners

Screw fasten runner to top of Spanfast Tee using Option 1 or Option 2 at right.



Option 1

Fasten directly to bulb of tee with 2 pan head screws.



Option 2

Install the Spanfast runner to the top of a field-cut section of inverted tee.

Step 3 - Vertical Brace

With field-cut sections of Spanfast tees, brace the system at 48" OC.



3. Component Load Test Data

Allowable Load Test Data Based on L/240 Span Deflection with No Lateral Bracing (Lb/Ft2)

		Allowable Load (lb/sf) With No Lateral Bracing at L/240 (per ASTM C645)									
Main Runner	Spacing	Without Mid-Span Support						With Mid-Span Support			
		4'	5'	6'	7'	8'	8'-6"	9'	10'	12'	14'
640.SF	8"	48.1	27.1	15.4	9.8	6.8	5.6	5.1	27.1	15.4	9.8
	16"	24.1	13.6	7.7	4.9	3.4	2.8	2.6	13.6	7.7	4.9
	24"	16.0	9.0	5.1	3.3	2.3	1.9	1.7	9.0	5.1	3.3

Spans greater than 9' require mid-span support (refer to installation guide for more information). Hanger wires are eliminated in many applications and are reduced vs. standard drywall grid at spans greater than 9', minimizing labor and material cost.

Standard Weights (approx):
 1/2" drywall - 2.0 lbs per SF
 5/8" drywall - 2.5 lbs per SF
 2 layers of 5/8" drywall - 5.0 lbs per SF

Note: Weights are provided for reference only, customer responsible for confirming applied load weights.

Rockfon® is a registered trademark
of ROCKWOOL Group.

2024 | Subject to alterations in range and product technology without prior notice. Rockfon accepts no responsibility for printing errors.
® ROCKWOOL IAS 2022. All rights reserved. ® denotes a trademark that is registered in the United States of America.

062524



Rockfon
4849 S. Austin Ave.
Chicago, IL 60638 USA

Tel. +1-800-323-7164
cs@rockfon.com
rockfon.com