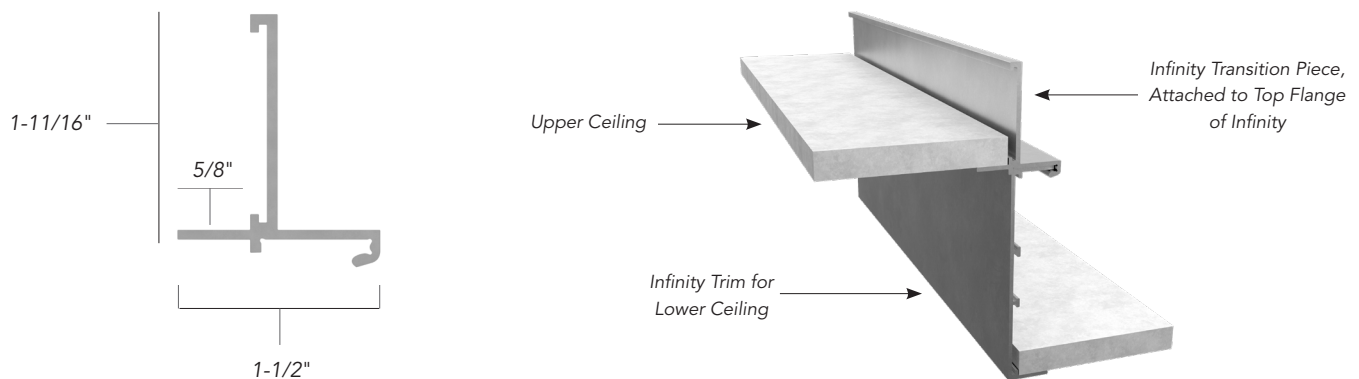


Creating Ceiling Transitions With the Infinity™ Transition Piece

The Infinity Transition is an extruded aluminum trim that attaches to the top of Infinity Perimeter Trim, allowing ceiling planes to transition from a lower suspended height up to a taller ceiling height. The Infinity Transition Trim attaches to the top of 2", 4", 6", 8" Infinity Standard Profiles, 6" Infinity CDX/SCD Straight Profiles and 4" Infinity R Reveal Edge Profiles.

The Infinity Transition Trim is compatible with Rockfon Stone Wool Ceiling Panels, Chicago Metallic Suspension Systems, Rockfon Metal Ceiling Systems and many other standard tile and suspension grids in the market. Standard Infinity splices, corner clips and grid attachment clips can be used in conjunction with the Infinity Transition Trim.



Compatibility

The Infinity Transition Piece is compatible with the following Infinity profiles:



Standard Straight Infinity with
Transition Trim Installed;
Compatible with 2", 4", 6", 8" Profiles



4" Infinity R Reveal with
Transition Trim Installed

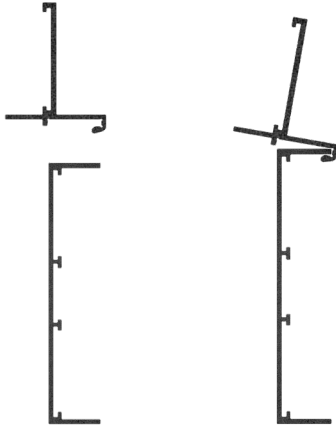


6" Infinity CDX/SCD with
Transition Trim Installed

Handling the Infinity Transition Trim

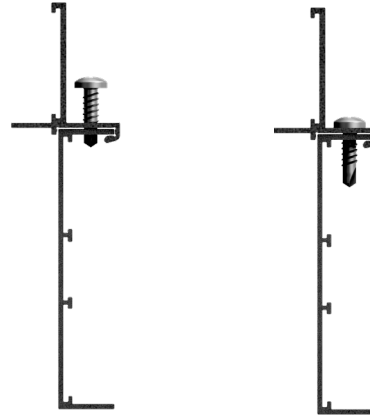
To prevent bending or distortion, care should be taken when lifting or carrying of the Infinity Transition Trim. Distortion or bending of the pieces will result in problems with aligning and attaching the trim to the Infinity Perimeter Trim.

Assembling the Infinity Transition Trim



Step 1: Attach the Transition Piece

Attach the Transition Trim before cutting to length. Place the Infinity Transition Trim on the top of the Infinity profile. The small return on the Transition profile should hook to the top of the Infinity trim. The Infinity and Transition trim should be flush across the length of the products.



Step 2: Fasten the Transition Piece

Ensuring that the Transition trim is properly engaged with the Perimeter trim, use #10 Self-drilling screws at 24" on center to fasten the two elements together. Any cuts should be made within 6" of fasteners, or an additional fastener should be added.

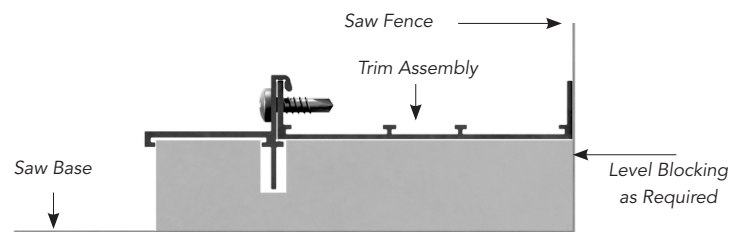
Cutting the Assembled Infinity Transition Trim

Once the Transition Piece has been attached to the Infinity Perimeter Trim, the product can be cut to length.

Use a non-ferrous, metal cutting blade, suitable for cutting aluminum. Secure the piece being cut and make the cut slowly, not forcing the blade.

CAUTION: Cut edges may be sharp. A light file may be required to remove burrs.

For mitered cuts, fully support trim assembly as required to achieve accurate cutting results.

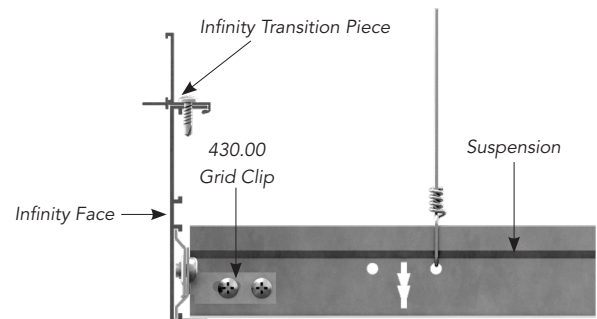


Trim Assembly Blocking Support for Mitered Cuts

Installing the Assembled Infinity Transition Trim

Install the assembly of the Infinity Perimeter Trim and Infinity Transition using the 430.00 grid attachment clip. Splice the assembly with the 414.00 splice plate. Inside and outside corner splices should also be used. Hanger wires should be located within 12" of the assembly on each level.

Please see the Infinity Perimeter trim installation guide for additional assistance.



Have Questions?

Contact Rockfon Technical Support by calling **800-323-7164**, prompt 2 and we can provide assistance on your project.