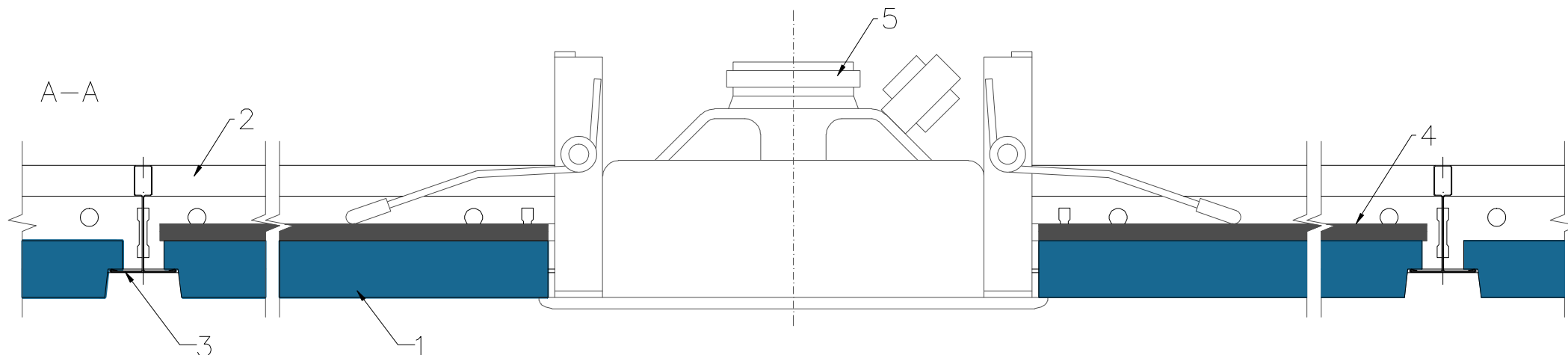


This solution is applicable for speakers (services) weighing <3kg. Cut hole in the tile and centre of yoke to match size and shape of speaker. Fit speaker into tile and yoke.

1. Tile ROCKFON, edge E
2. Mainrunner T24 C/H38 3600 white
3. Cross Tee T24 C38 1200 white
4. Plywood or similar yoke
5. Loudspeaker



All screws and other fastenings shown are indicative and illustrative only. Specific fasteners should be chosen dependent on substrates and materials being used.

Plywood or similar yoke (4):  
 Length = module size - 6mm,  
 Min. width = speaker  $\phi$  + 250mm,  
 Min. thickness = 6mm for up to 600x600mm module,  
 Min. thickness = 10mm for up to 1200x1200mm module.

Information: Speaker integration	Date: 10.04.2014		Drawing Type:	
	Drawing No.: 4.3.3.Lighting-ventilation-etc.		Drawn by:	Scale: 1:2
	Contact Information:			

We kindly draw your attention to the fact that the above drawings should be considered as guidelines and therefore are without responsibility on the part of Rockfon.

**Rockfon**<sup>®</sup>