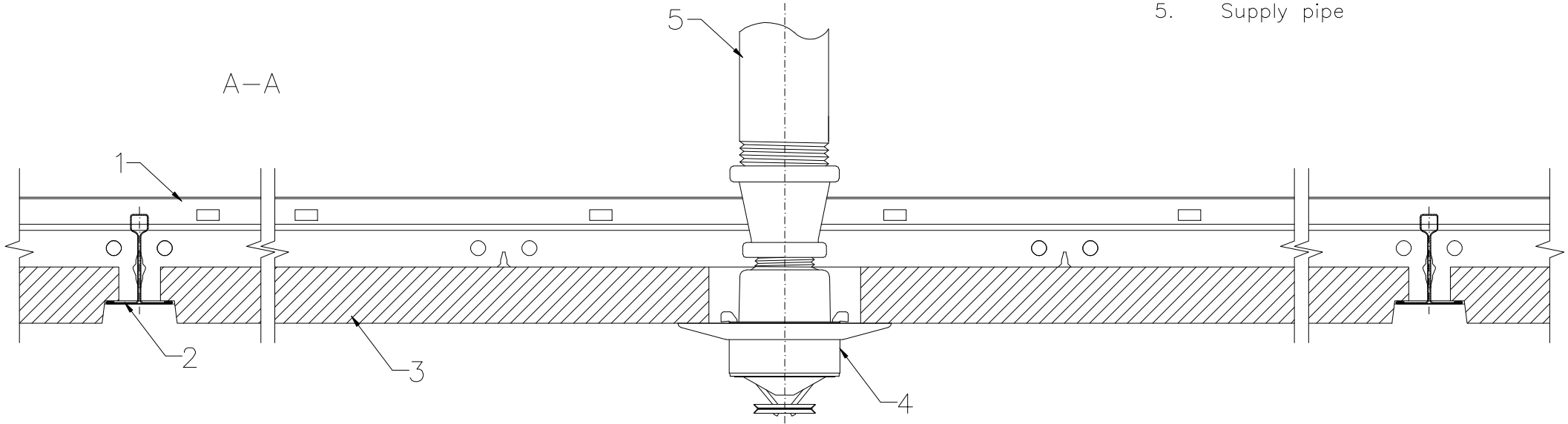


1. Main runner
2. Cross tee 1200mm
3. Tile ROCKFON SONAR E
4. Sprinkler
5. Supply pipe



Cut hole in tile and attach
sprinkler head to supply pipe.

All screws and other fastenings shown are indicative and illustrative only.
Specific fasteners should be chosen dependent on substrates and materials being used.

Information: Sprinkler integration We kindly draw your attention to the fact that the above drawings should be considered as guidelines and therefore are without responsibility on the part of Rockfon Limited.	Date:		Drawing Type:	
	Drawing No.:		Drawn by:	Scale: 1:2
	Contact Information:			

ROCKWOOL
Rockfon[®]
 ACTIVATE YOUR CEILING

 Tel. +44 (0) 208 222 7457