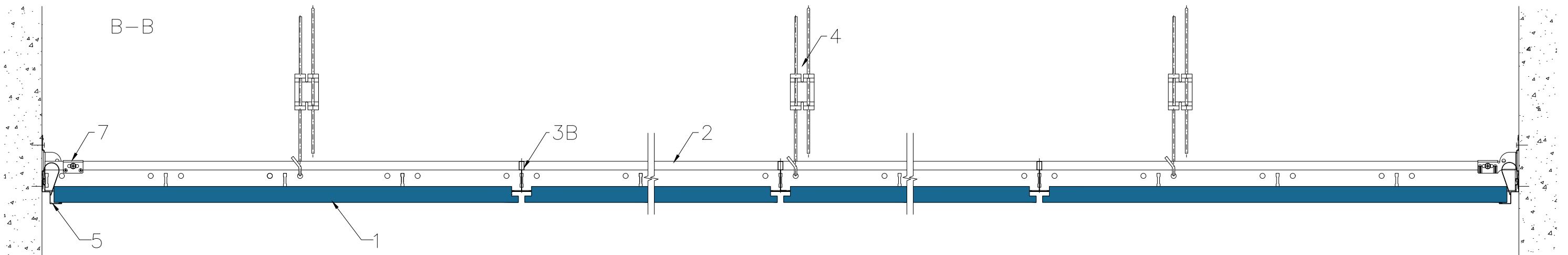
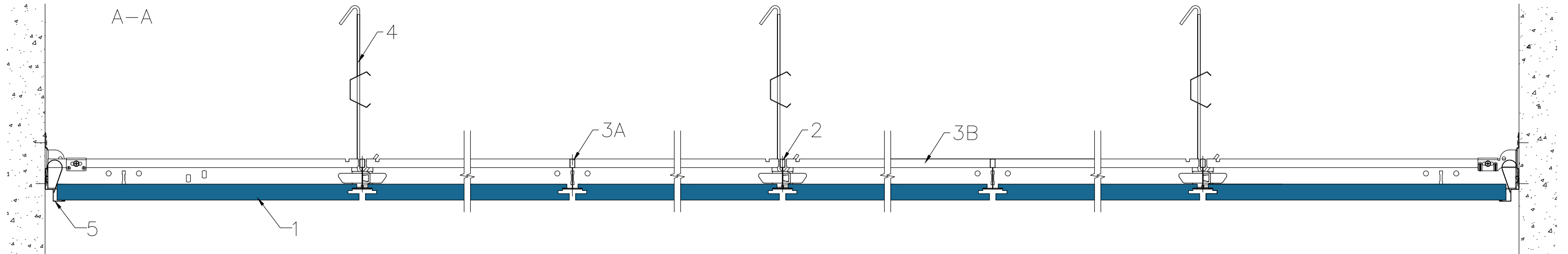


1. Tile ROCKFON, edge M
2. Mainrunner T24 C/H38 3600 white
- 3B. Cross Tee T24 C38 1200 white
- 3A. Cross Tee T24 C38 600 white
4. Adjustable hanger
5. Shadow trim RFN1015
6. Wall spring Fixt
7. Wall and bridging bracket



All screws and other fastenings shown are indicative and illustrative only.
Specific fasteners should be chosen dependent on substrates and materials being used.

Information: Rockfon system M T24 System overview Shadowtrim – M1/M2 edge	Date: 15-11-2022	Drawing Type: TECHNICAL	
	Drawing No.: SCA-01-T24-MM-01	Drawn by: OPTS	Scale: 1:5
	Contact information: info@rockfon.com	Revision No.: 1	

We kindly draw your attention to the fact that the above drawings should be considered as guidelines and therefore are without responsibility on the part of Rockfon.

